

Technical data sheet

Product features



Fry-top griddle plate smooth on open cabinet

Model	SAP Code	00008245
--------------	-----------------	----------



- Top type: Smooth
- Griddle dimensions [mm x mm]: 560 x 370
- Griddle thickness [mm]: 12.00
- Worktop material: AISI 304
- Container for liquid fat: Yes
- Maximum device temperature [°C]: 300
- Removable rim: Yes

SAP Code	00008245	Power electric [kW]	4.500
Net Width [mm]	400	Loading	400 V / 3N - 50 Hz
Net Depth [mm]	730	Griddle dimensions [mm x mm]	560 x 370
Net Height [mm]	900	Top type	Smooth
Net Weight [kg]	50.90	Worktop type	Molded - comfortable cleaning maintenance

Technical data sheet

Technical drawing

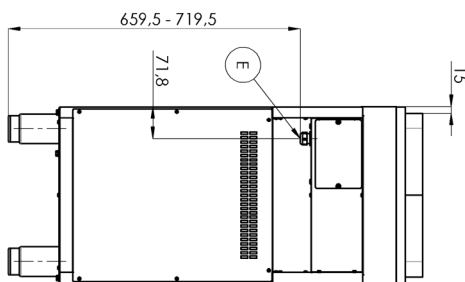
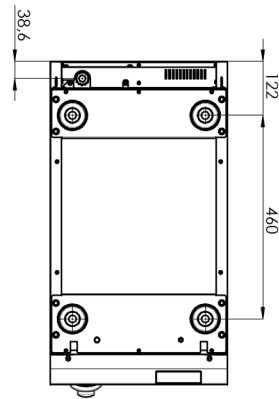
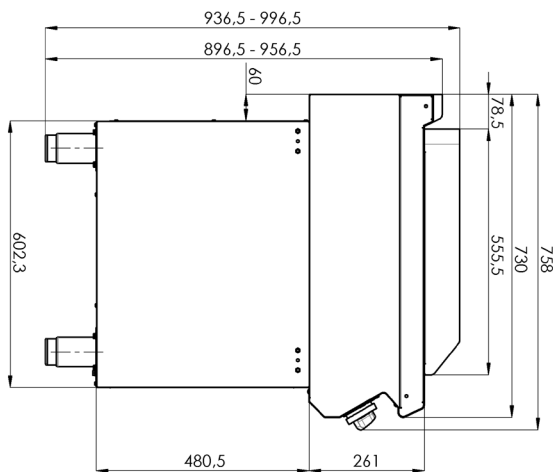
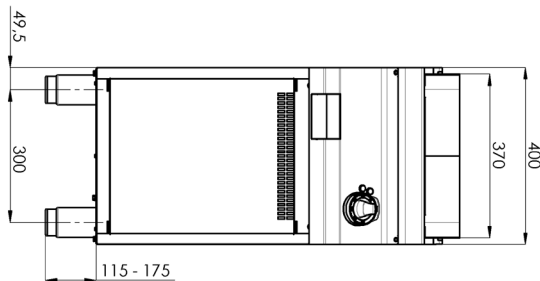


Fry-top griddle plate smooth on open cabinet

Model

SAP Code

00008245



Technical data sheet

Technical parameters



Fry-top griddle plate smooth on open cabinet

Model

SAP Code

00008245

1. SAP Code:

00008245

2. Net Width [mm]:

400

3. Net Depth [mm]:

730

4. Net Height [mm]:

900

5. Net Weight [kg]:

50.90

6. Gross Width [mm]:

440

7. Gross depth [mm]:

800

8. Gross Height [mm]:

1080

9. Gross Weight [kg]:

57.50

10. Device type:

Electric unit

11. Construction type of device:

With substructure

12. Power electric [kW]:

4.500

13. Loading:

400 V / 3N - 50 Hz

14. Protection of controls:

IP24

15. Exterior color of the device:

Stainless steel

16. Material:

AISI 304 top plate and cladding

17. Indicators:

operation and warm-up

18. Worktop type:

Molded - comfortable cleaning maintenance

19. Worktop material:

AISI 304

20. Worktop Thickness [mm]:

1.50

21. Maximum device temperature [°C]:

300

22. Minimum device temperature [°C]:

50

23. Service accessibility:

Trough the frontal panel

24. Safety thermostat:

Yes

25. Safety thermostat up to x ° C:

360

26. Adjustable feet:

Yes

27. Griddle dimensions [mm x mm]:

560 x 370

28. Griddle thickness [mm]:

12.00

Technical data sheet

Technical parameters



Fry-top griddle plate smooth on open cabinet

Model

SAP Code

00008245

29. Container for liquid fat:

Yes

31. Removable rim:

Yes

30. Removable device container:

No

32. Top type:

Smooth